

3/8" Non-Tapered
Column Wraps8

5/8" Non-Tapered
Column Wraps9

Tapered Column
Wraps 10

Alternate Cap
& Base Styles 11



Coverage with Character

PVC Column Wraps

Once you've met the structural requirements of your project, Fypon® PVC column wraps can add an elegant finishing touch. Designed to install easily around an existing structural support, Fypon column wraps allow you to add the sophistication of traditional columns near the end of your project. So whether you need to add character to a new job or cover an outdated design, our column wraps offer many options for creating curb appeal. **For installation instructions, please visit www.fypon.com.**

How to Use This Section

For ease of use, the product groupings in this section of the catalog are organized by size, from smallest to largest. Where applicable, special order options are referenced with the product. Each product chart includes product images, dimensional data and part numbers to help specify, source and sell Fypon® PVC column wraps.

How to Order

PVC Column Wraps

PVC column wraps are non-structural and simply wrap around an existing 4"x4" treated wood post or other structural support. Column wraps come in a complete kit that includes the shaft, cap, base, installation cleats, hardware, installation instructions and a tube of adhesive. Choose between various tapered and non-tapered styles with a height that meets or exceeds your height requirement. Plain column wraps can be trimmed to any height, and all other styles are trimmable from the bottom of the shaft up to 3".

PVC Column Wrap Accessories

Non-tapered column wraps come with the box cap and base. Tapered column wraps come with the Craftsman cap and base. Eight additional cap and base styles are available and can be special ordered separately. Simply choose a style and specify the type (tapered or non-tapered) and the nominal size of the column wrap you are matching. Most of the caps and bases are constructed of PVC and ship in four separate pieces with pre-mitered corners, unless otherwise noted.

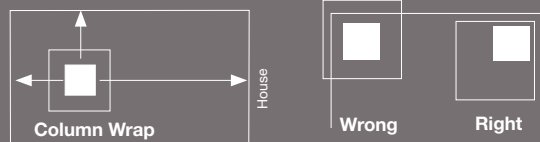
Special Order Products

Some products shown in this catalog include special order options. This means the product is available in additional sizes or with additional accessories. Throughout this section, special order part numbers are marked with an asterisk (*). Where applicable, additional special order options are listed with the product.

Flexible Positioning PVC Column Wraps

Fypon column wraps allow for flexibility in positioning. The design features installation cleats on the exterior of the shaft, providing ample room around the support post. This allows for positioning adjustments to align several columns in a row or to allow for positioning close to the porch edge. Also, because the column wrap does not come in contact with the structural post, the integrity of the wrap is not dependent on the support. If the structural post starts to twist or warp, the column wrap will not be affected.

Before you order, you'll want to measure to make sure you have enough clear distance from the support post to the edge of the porch. The needed space is dependent on the style of column. You will need more space for tapered columns than non-tapered due to the larger base.



Allow adequate distance when choosing wrap width

3/8" Non-Tapered Column Wraps

Semi-Assembled Economy Plain with Box Cap & Base

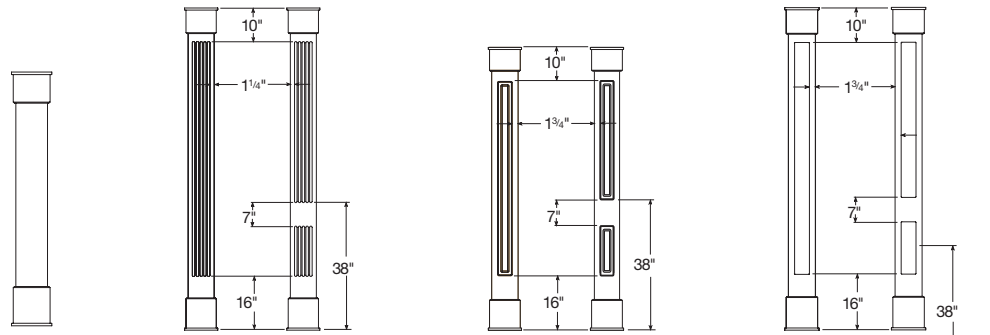


Shaft Width	Height	Semi-Assembled Economy Plain
6" (5 3/4" Actual) 3 1/2" Actual Inside Width	6' (72")	CWKT86063*
	8' (96")	CWKT86000
	9' (108")	CWKT86001
	10' (120")	CWKT86002
	12' (144")	CWKT86064*
8" (7 3/4" Actual) 5 1/2" Actual Inside Width	6' (72")	CWKT86065*
	8' (96")	CWKT86003
	9' (108")	CWKT86008
	10' (120")	CWKT86013
10" (9 3/4" Actual) 7 1/2" Actual Inside Width	12' (144")	CWKT86066*
	6' (72")	CWKT86067
	8' (96")	CWKT86017
	9' (108")	CWKT86021
12" (11 3/4" Actual) 9 1/2" Actual Inside Width	10' (120")	CWKT86025
	12' (144")	CWKT86068*
	6' (72")	CWKT86069*
	8' (96")	CWKT86029
	9' (108")	CWKT86032
	10' (120")	CWKT86034
	12' (144")	CWKT86070*

* Part numbers marked with an asterisk (*) are special order.

5/8" Non-Tapered Column Wraps

**Semi-Assembled
with Box Cap
& Base**



Flutes are 3/4" wide and 3/8" deep. Number and spacing of flutes varies by width of shaft.

Route is 1 11/32" wide by 3/8" deep.

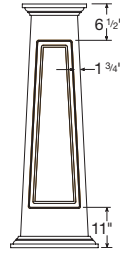
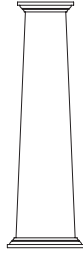
Recess is 5/8" deep and corners are 1/4" rounded.



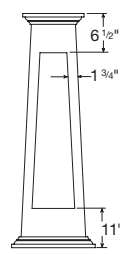
Shaft Width	Height	Plain	Fluted	Double Fluted	Raised Panel	Double Raised Panel	Recessed	Double Recessed
6" (5 3/4" Actual)	6' (72")	CWKT86058*	CWKT86071*	CWKT86089*	—	—	—	—
	8' (96")	CWKT86046	CWKT86072	CWKT86090*	—	—	—	—
	9' (108")	CWKT86047*	CWKT86073*	CWKT86091*	—	—	—	—
	10' (120")	CWKT86048*	CWKT86074*	CWKT86092*	—	—	—	—
	12' (144")	CWKT86059*	CWKT86075*	CWKT86093*	—	—	—	—
4 1/2" Actual Inside Width								
8" (7 3/4" Actual)	6' (72")	CWKT86060*	CWKT86076*	CWKT86094*	CWKT86109*	CWKT86118*	CWKT86219*	CWKT86144*
	8' (96")	CWKT86004	CWKT86077	CWKT86095*	CWKT86005	CWKT86006	CWKT86131	CWKT86007
	9' (108")	CWKT86009	CWKT86078	CWKT86096*	CWKT86010	CWKT86011	CWKT86012*	CWKT86145*
	10' (120")	CWKT86014	CWKT86079*	CWKT86097*	CWKT86110*	CWKT86119*	CWKT86132*	CWKT86146*
	12' (144")	CWKT86015	CWKT86080*	CWKT86098*	CWKT86016*	CWKT86120*	CWKT86133*	CWKT86147*
6 1/2" Actual Inside Width						5 3/4" Actual Inside Width		
10" (9 3/4" Actual)	6' (72")	CWKT86061*	CWKT86081*	CWKT86099*	CWKT86111*	CWKT86121*	CWKT86134*	CWKT86148*
	8' (96")	CWKT86018	CWKT86020*	CWKT86100*	CWKT86019	CWKT86122*	CWKT86135*	CWKT86149*
	9' (108")	CWKT86022	CWKT86024*	CWKT86101*	CWKT86023	CWKT86123*	CWKT86136*	CWKT86150*
	10' (120")	CWKT86026	CWKT86082*	CWKT86102*	CWKT86027*	CWKT86124*	CWKT86137*	CWKT86151*
	12' (144")	CWKT86028	CWKT86083*	CWKT86103*	CWKT86112*	CWKT86125*	CWKT86138*	CWKT86152*
8 1/2" Actual Inside Width						7 3/4" Actual Inside Width		
12" (11 3/4" Actual)	6' (72")	CWKT86062*	CWKT86084*	CWKT86104*	CWKT86113*	CWKT86126*	CWKT86139*	CWKT86153*
	8' (96")	CWKT86030	CWKT86085*	CWKT86105*	CWKT86114*	CWKT86127*	CWKT86140*	CWKT86031*
	9' (108")	CWKT86033	CWKT86086*	CWKT86106*	CWKT86115*	CWKT86128*	CWKT86141*	CWKT86154*
	10' (120")	CWKT86035	CWKT86087*	CWKT86107*	CWKT86116*	CWKT86129*	CWKT86142*	CWKT86155*
	12' (144")	CWKT86036	CWKT86088*	CWKT86108*	CWKT86117*	CWKT86130*	CWKT86143*	CWKT86156*
10 1/2" Actual Inside Width						9 3/4" Actual Inside Width		

Tapered Column Wraps

Semi-Assembled with Craftsman Cap & Base



Route is 1 11/32" wide by 3/8" deep.



Recess is 5/8" deep and corners are 1/4" rounded.



Shaft Width	Height	Plain	Raised Panel	Recessed Panel
8" Top 7 3/4" Actual	4' (48")	CWKT86037	CWKT86172*	CWKT86195*
	4 1/2' (54")	CWKT86038	CWKT86173*	CWKT86196*
	5' (60")	CWKT86039	CWKT86174*	CWKT86197*
12" Bottom 11 3/4" Actual	5 1/2' (66")	CWKT86040	CWKT86175*	CWKT86198*
	6' (72")	CWKT86041	CWKT86176*	CWKT86199
	8' (96")	CWKT86042	CWKT86177*	CWKT86200
11" Top 10 3/4" Actual	4' (48")	CWKT86157*	CWKT86178*	CWKT86201*
	4 1/2' (54")	CWKT86158*	CWKT86179*	CWKT86202*
	5' (60")	CWKT86043	CWKT86180*	CWKT86203*
16" Bottom 15 3/4" Actual	5 1/2' (66")	CWKT86044	CWKT86181*	CWKT86204*
	6' (72")	CWKT86045	CWKT86182*	CWKT86205
	8' (96")	CWKT86159*	CWKT86183*	CWKT86206*
13" Top 12 3/4" Actual	4' (48")	CWKT86160*	CWKT86184*	CWKT86207*
	4 1/2' (54")	CWKT86161*	CWKT86185*	CWKT86208*
	5' (60")	CWKT86162*	CWKT86186*	CWKT86209*
20" Bottom 19 3/4" Actual	5 1/2' (66")	CWKT86163*	CWKT86220	CWKT86210*
	6' (72")	CWKT86164*	CWKT86187*	CWKT86211
	8' (96")	CWKT86165*	CWKT86188*	CWKT86212*
16" Top 15 3/4" Actual	4' (48")	CWKT86166*	CWKT86189*	CWKT86213*
	4 1/2' (54")	CWKT86167*	CWKT86190*	CWKT86214*
	5' (60")	CWKT86168*	CWKT86191*	CWKT86215*
24" Bottom 23 3/4" Actual	5 1/2' (66")	CWKT86169*	CWKT86192*	CWKT86216*
	6' (72")	CWKT86170*	CWKT86193*	CWKT86217*
	8' (96")	CWKT86171*	CWKT86194*	CWKT86218*

* Part numbers marked with an asterisk (*) are special order.

