



# Boral TruExterior® Siding

## BEVEL SIDING - INSTALLATION GUIDELINES

The following information offers typical installation techniques specifically for the Boral TruExterior® Siding – Bevel profile. This product should never be used in structural or load bearing applications. These directions are guidelines. As with installing any building material, care should be taken to adhere to local code requirements and construction best practices to ensure installation is adequate for each specific application.

### Storage and Handling

Boral TruExterior® Siding should be stored on a flat, level surface. Pallets are shipped from the manufacturing facility in a protective covering and each board has a factory-applied primer. For expected performance results, ensure the product is dry and clean when fastened to the wall. For proper paint adhesion, the product should be dry and clean before painting.

### Wall Preparation

As a best practice, a weather-resistant barrier should be used in accordance with local building code requirements. However, it is highly recommended to use a drainable house wrap in conjunction with Boral TruExterior® Siding.

### Working With Boral TruExterior® Siding

This product is an excellent replacement for wood siding and can be installed using proven woodworking tools and methods. For ease of use, consider the following before working:

**Cutting** – Boral TruExterior® Siding can be cut using standard saw blades. However, for longer tool life, carbide tipped blades are recommended.

**Routing & Drilling** – Boral TruExterior® Siding can be drilled and routed using standard woodworking tools. However, a carbide tipped router and drill bits are recommended.

### Fastening

- Ensure the product is dry and clean when fastened to the wall.
- Two fasteners are required within 2" of joints - one fastener at the top of the board and one fastener in the face.
- Use fasteners designed for exterior trim and siding.
  - Use of minimum 6d ring shank nails are recommended to meet the windload and performance results stated in the ES report PER-13069
  - Minimum lap is 1"
- The product will accept other types of fasteners including various types of exterior grade nails and screws. Care should be taken to ensure both fastener type and fastening pattern will meet local code requirements and performance needs.
- Standard nail guns can be used to install Boral TruExterior® Siding. Nail guns should be adjusted to ensure nail head is flush with surface. Do not over drive or countersink.

### ACCEPTABLE FASTENING PATTERNS\*

Figure 1: Blind Nailing

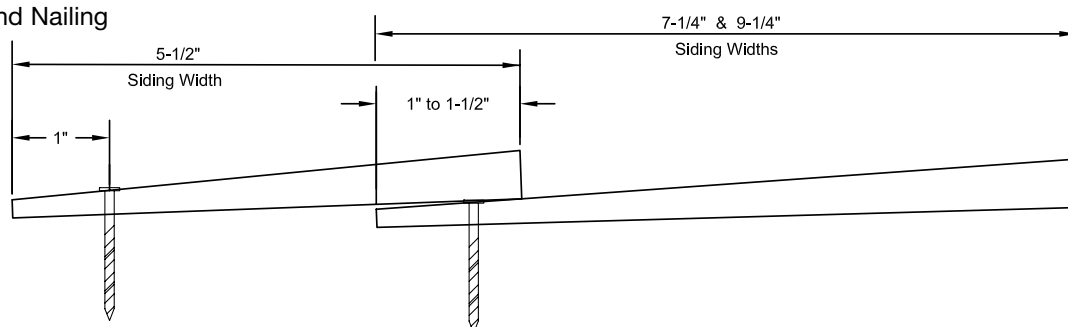


Figure 2: Face Nailing, Option 1

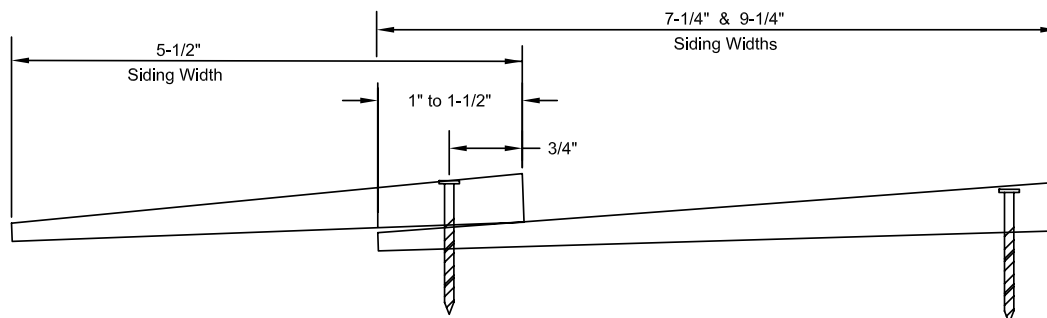
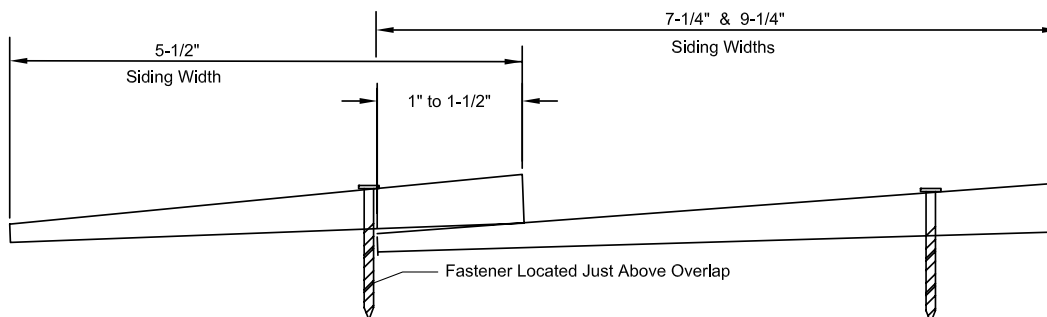


Figure 3: Face Nailing, Option 2



\*7-1/4" and 9-1/4" sizes are not yet available.

**Safety** – In working with any product that may cause airborne debris such as nuisance dust, be sure to take proper measures to protect against eye and inhalation hazards.

**Expansion and Contraction** – Boral TruExterior® Siding is very stable<sup>+</sup> during periods of temperature and moisture change; no special precautions such as gluing or gapping are necessary to control or limit movement.

**Use at Grade** – Since Boral TruExterior® Siding is highly resistant to moisture and termite attacks and the product won't rot<sup>+</sup>, it is approved for ground contact.

**Nail Holes and Repair** – Filling nail and screw holes or repairing any minor damage caused by handling may be done using high-grade acrylic caulk or wood fillers.

**Painting** – Painting Boral TruExterior® Siding is a requirement, and failure to do so will void the warranty. As in preparing for any painting project, be sure the surface of the product is free of dirt, debris or other contaminants prior to paint application. Boral TruExterior® Siding can be painted using any high grade exterior paint. Make sure to follow the paint manufacturer's application recommendations.<sup>+</sup>

Boral TruExterior® Siding may be painted any color without special precaution as the product is not prone to excessive movement due to heat buildup.<sup>+</sup>

Boral TruExterior® Siding is virtually impervious to moisture<sup>+</sup>, so there is no need to prime or paint end-cuts or field-cut edges.

Moisture cycling is a primary cause for paint failure on wood products. Since Boral TruExterior® Siding is resistant to this moisture cycling<sup>+</sup>; paint will perform better.

**Caulks & Sealants** – While Boral TruExterior® Siding does not require priming or sealing of end cuts, a variety of caulks and sealants may be used in conjunction with the product to help prevent water intrusion to the structure.<sup>+</sup>

<sup>+</sup>More information can be found in Boral's technical bulletins for paint and adhesives and sealants or in the product warranty. Documents can be found at [www.BoralTruExterior.com](http://www.BoralTruExterior.com)

